

WE ARE THE CHAMPIONS[®]



2024

WHY WE ARE THE CHAMPIONS®

ABOUT US

Established in 2015, Champions is a prominent brand under the umbrella of Ozaktac A.S. with our headquarters located in Istanbul, we operate a state-of-the-art factory with a robust production capacity of 1000 bikes per day.

Champions proudly presents two exciting new models for this year: Kaunos and Essenza.

Kaunos : Conquer the Mountains. Designed for mountain explorers, Kaunos is a rugged and versatile bike that can handle challenging terrains with ease.

Essenza : Embrace the City. For urban riders who appreciate style and functionality, Essenza is the perfect choice.

Together, at Champions, we are dedicated to bringing the joy of cycling to enthusiasts and strive to exceed expectations in every aspect of our business. Join us on this exciting journey as we continue to push boundaries, explore new horizons, and create bikes that empower riders to conquer mountains and embrace the city. Get ready to experience the thrill and freedom that Champions bikes offer.

Choose Champions, and let's ride towards a brighter, healthier future together...

INDEX

KAUNOS	PAGE
480 DB	1
480 VB	3
430 DB	5
430 VB	7
380 DB	9
380 VB	11
330 DB	13
330 VB	15
280 VB	17

ESSENZA UOMO

UOMO 480	19
UOMO 430	21
UOMO 280	23

ESSENZA DONNA

DONNA 480	25
DONNA 430	27
DONNA 400	29

ARIZONA

26''	31
24''	33
20''	35

TEMPO

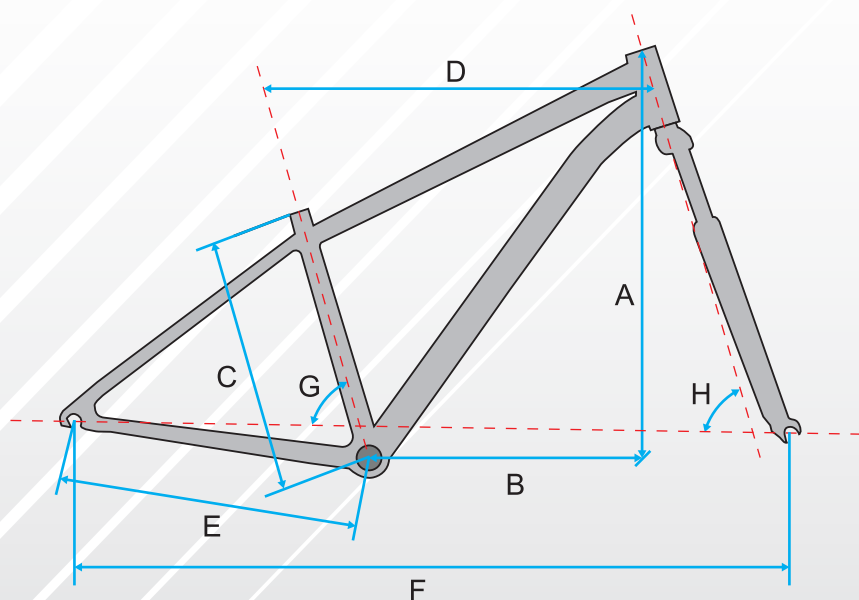
26''	37
24''	39
20''	41

**WE
ARE THE
CHAMPIONS[®]
OF
MOUNTAINS**





KAUNOS 480 DB



A - STACK	: 632.8 mm
B - REACH	: 454.9 mm
C - SEAT TUBE	: 480 mm
D - TOP TUBE	: 624.3 mm
E - CHAIN STAY	: 455 mm
F - WHEELBASE	: 1142.7 mm
G - SEAT TUBE ANGLE	: 72.5°
H - HEAD TUBE ANGLE	: 70.5°



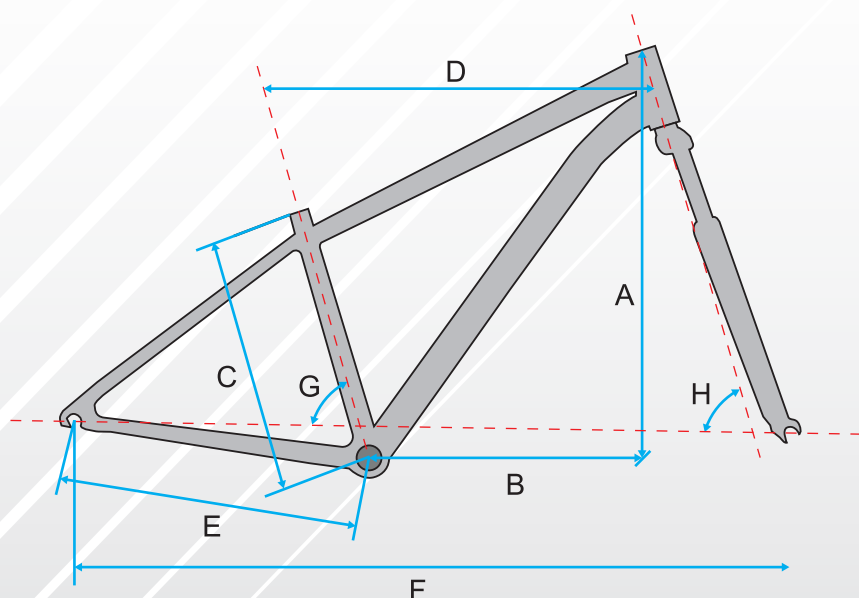
SPECIFICATIONS

FRAME	: Hi-Ten Steel	BRAKE SET	: Logan LB-DX2005 Disc Brake
FORK	: Locked, Preload Adj, 80 mm	WHEELS	: Aluminium, Double-wall rim, 36 spokes, 29"
HANDLEBAR	: Alloy, Wide: 570 mm	TYRES	: Rubena OCELOT (29*2,10)
STEM	: Alloy, Ext. : 90 mm	PEDALS	: Feimin FP804, Plastic
SEATPOST	: Steel, Ø: 28,6 mm L: 500 mm	SADDLE	: Sport Saddle
SEAT CLAMP	: Alloy, Bolted Clamp	GRIPS	: Rubber Grips
CHAINWHEEL	: Steel, 24/34/42T, L:170 mm	ACCESSORIES	: Reflectors, Bell
BOTTOM BRACKET	: Semi Catridge	WEIGHT	: 17 KG
SHIFTER	: Saiguan Twist Shifter		
F. DERAILLEUR	: Saiguan QD-08		
R. DERAILLEUR	: Saiguan HG-21		

COLOR OPTIONS



KAUNOS 480 VB



A - STACK	: 632.8 mm
B - REACH	: 454.9 mm
C - SEAT TUBE	: 480 mm
D - TOP TUBE	: 624.3 mm
E - CHAIN STAY	: 455 mm
F - WHEELBASE	: 1142.7 mm
G - SEAT TUBE ANGLE	: 72.5°
H - HEAD TUBE ANGLE	: 70.5°



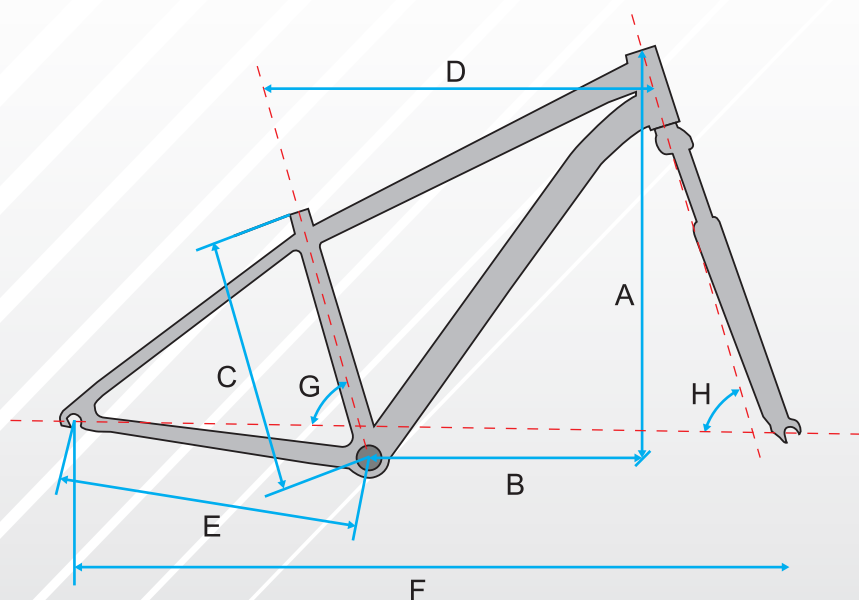
SPECIFICATIONS

FRAME	: Hi-Ten Steel	BRAKE SET	: Saiguan Alloy V Brake
FORK	: Locked, Preload Adj, 80 mm	WHEELS	: Aluminium, Double-wall rim, 36 spokes, 29"
HANDLEBAR	: Alloy, Wide: 670 mm	TYRES	: Rubena OCELOT (29*2,10)
STEM	: Alloy, Ext. : 90 mm	PEDALS	: Feimin FP804, Plastic
SEATPOST	: Steel, Ø: 28,6 mm L: 500 mm	SADDLE	: Sport Saddle
SEAT CLAMP	: Alloy, Bolted Clamp	GRIPS	: Rubber Grips
CHAINWHEEL	: Steel, 24/34/42T, L:170 mm	ACCESSORIES	: Reflectors, Bell
BOTTOM BRACKET	: Semi Catridge	WEIGHT	: 17 KG
SHIFTER	: Saiguan Twist Shifter		
F. DERAILLEUR	: Saiguan QD-08		
R. DERAILLEUR	: Saiguan HG-21		

COLOR OPTIONS



KAUNOS 430 DB



A - STACK	: 596 mm
B - REACH	: 460 mm
C - SEAT TUBE	: 430 mm
D - TOP TUBE	: 614.1 mm
E - CHAIN STAY	: 450 mm
F - WHEELBASE	: 1131.3 mm
G - SEAT TUBE ANGLE	: 73.0°
H - HEAD TUBE ANGLE	: 71.0°



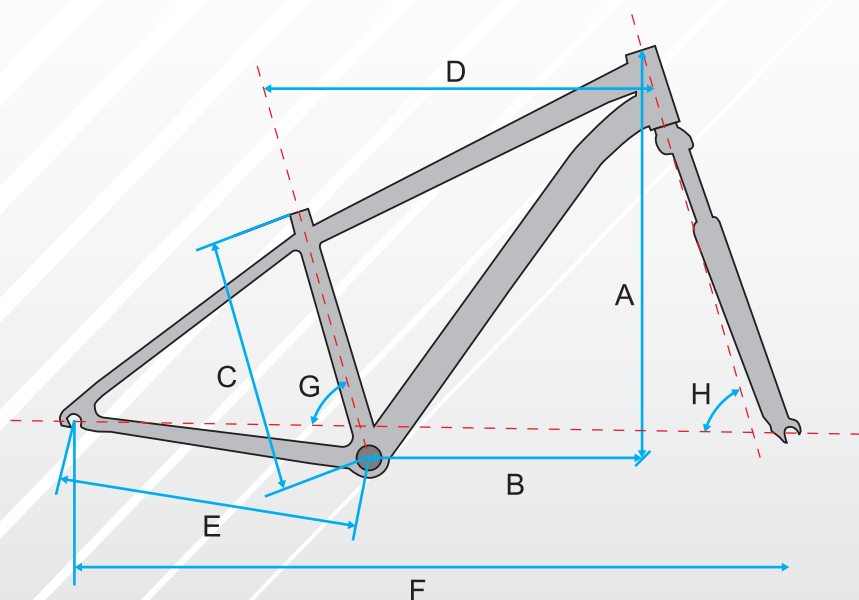
SPECIFICATIONS

FRAME	: Hi-Ten Steel	BRAKE SET	: Logan LB-DX2005 Disc Brake
FORK	: Locked, Preload Adj, 80 mm	WHEELS	: Aluminium, Double-wall rim, 36 spokes, 27.5''
HANDLEBAR	: Alloy, Wide: 670 mm	TYRES	: Rubena OCELOT (27*2,10)
STEM	: Alloy, Ext. : 90 mm	PEDALS	: Feimin FP804, Plastic
SEATPOST	: Steel, Ø: 28,6 mm L: 500 mm	SADDLE	: Sport Saddle
SEAT CLAMP	: Alloy, Bolted Clamp	GRIPS	: Rubber Grips
CHAINWHEEL	: Steel, 24/34/42T, L:170 mm	ACCESSORIES	: Reflectors, Bell
BOTTOM BRACKET	: Semi Catridge	WEIGHT	: 16.65 KG
SHIFTER	: Saiguan Twist Shifter		
F. DERAILLEUR	: Saiguan QD-08		
R. DERAILLEUR	: Saiguan HG-21		

COLOR OPTIONS



KAUNOS 430 VB



A - STACK	: 596 mm
B - REACH	: 460 mm
C - SEAT TUBE	: 430 mm
D - TOP TUBE	: 614.1 mm
E - CHAIN STAY	: 450 mm
F - WHEELBASE	: 1131.3 mm
G - SEAT TUBE ANGLE	: 73.0°
H - HEAD TUBE ANGLE	: 71.0°



SPECIFICATIONS

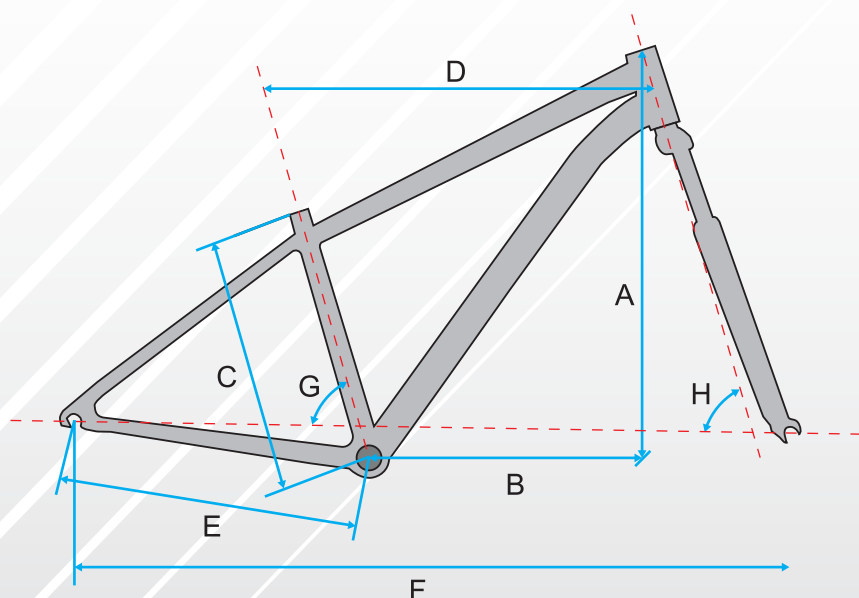
FRAME	: Hi-Ten Steel	BRAKE SET	: Saiguan Alloy V Brake
FORK	: Locked, Preload Adj, 80 mm	WHEELS	: Aluminium, Double-wall rim, 36 spokes, 27.5"
HANDLEBAR	: Alloy, Wide: 670 mm	TYRES	: Rubena OCELOT (27.5*2,10)
STEM	: Alloy, Ext. : 90 mm	PEDALS	: Feimin FP804, Plastic
SEATPOST	: Steel, Ø: 28,6 mm L: 500 mm	SADDLE	: Sport Saddle
SEAT CLAMP	: Alloy, Bolted Clamp	GRIPS	: Rubber Grips
CHAINWHEEL	: Steel, 24/34/42T, L:170 mm	ACCESSORIES	: Reflectors, Bell
BOTTOM BRACKET	: Semi Catridge	WEIGHT	: 16.65 KG
SHIFTER	: Saiguan Twist Shifter		
F. DERAILLEUR	: Saiguan QD-08		
R. DERAILLEUR	: Saiguan HG-21		

COLOR OPTIONS



KAUNOS

380 DB



A - STACK	: 587 mm
B - REACH	: 443 mm
C - SEAT TUBE	: 380 mm
D - TOP TUBE	: 597.5 mm
E - CHAIN STAY	: 450 mm
F - WHEELBASE	: 1111.3 mm
G - SEAT TUBE ANGLE	: 73.0°
H - HEAD TUBE ANGLE	: 71.0°



SPECIFICATIONS

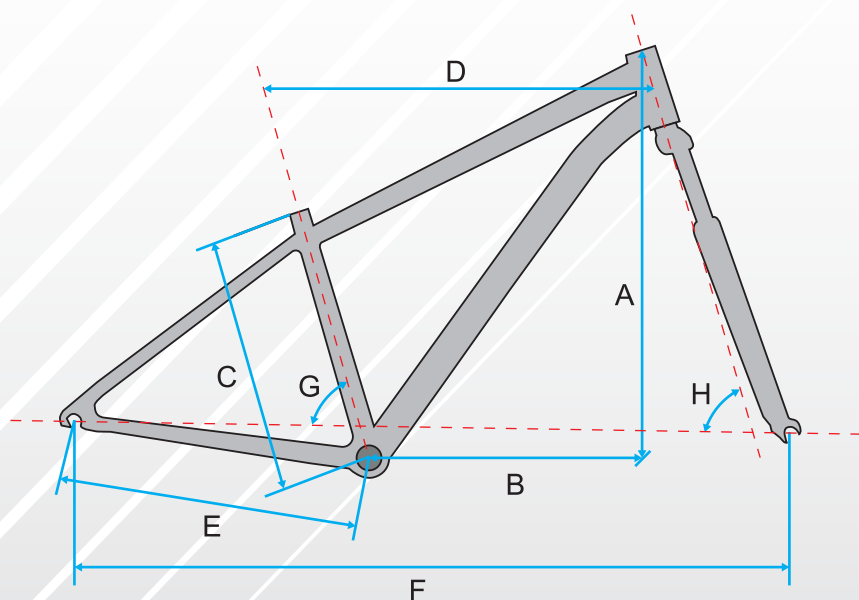
FRAME	: Hi-Ten Steel	BRAKE SET	: Logan LB-DX2005 Disc Brake
FORK	: Locked, Preload Adj, 80 mm	WHEELS	: Aluminium, Double-wall rim, 36 spokes, 27.5"
HANDLEBAR	: Alloy, Wide: 670 mm	TYRES	: Rubena OCELOT (27.5*2,10)
STEM	: Alloy, Ext. : 90 mm	PEDALS	: Feimin FP804, Plastic
SEATPOST	: Steel, Ø: 28,6 mm L: 500 mm	SADDLE	: Sport Saddle
SEAT CLAMP	: Alloy, Bolted Clamp	GRIPS	: Rubber Grips
CHAINWHEEL	: Steel, 24/34/42T, L:170 mm	ACCESSORIES	: Reflectors, Bell
BOTTOM BRACKET	: Semi Catridge	WEIGHT	: 16.65 KG
SHIFTER	: Saiguan Twist Shifter		
F. DERAILLEUR	: Saiguan QD-08		
R. DERAILLEUR	: Saiguan HG-21		

COLOR OPTIONS



KAUNOS

380 VB



A - STACK	: 587 mm
B - REACH	: 443 mm
C - SEAT TUBE	: 380 mm
D - TOP TUBE	: 597.5 mm
E - CHAIN STAY	: 450 mm
F - WHEELBASE	: 1111.3 mm
G - SEAT TUBE ANGLE	: 73.0°
H - HEAD TUBE ANGLE	: 71.0°



SPECIFICATIONS

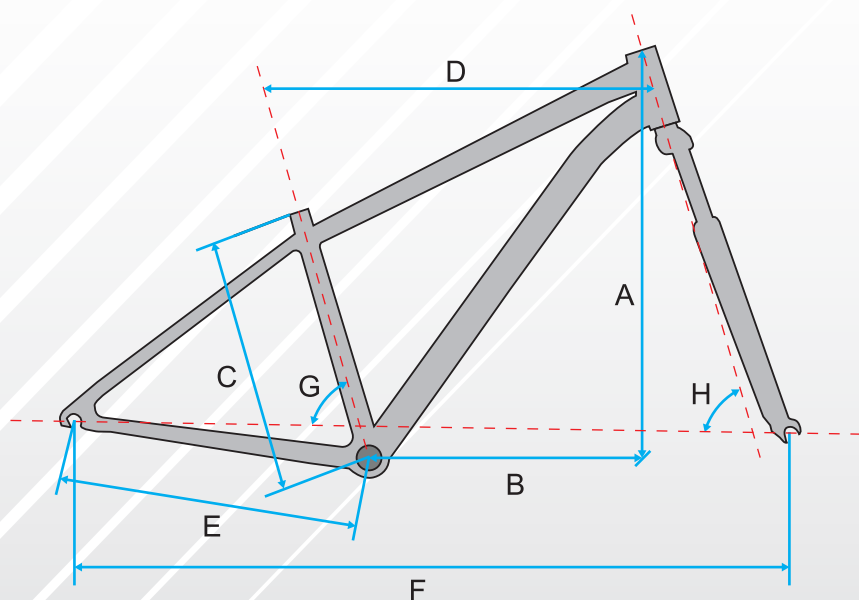
FRAME	: Hi-Ten Steel	BRAKE SET	: Saiguan Alloy V Brake
FORK	: Locked, Preload Adj, 80 mm	WHEELS	: Aluminium, Double-wall rim, 36 spokes, 27.5"
HANDLEBAR	: Alloy, Wide: 670 mm	TYRES	: Rubena OCELOT (27.5*2,10)
STEM	: Alloy, Ext. : 90 mm	PEDALS	: Feimin FP804, Plastic
SEATPOST	: Steel, Ø: 28,6 mm L: 500 mm	SADDLE	: Sport Saddle
SEAT CLAMP	: Alloy, Bolted Clamp	GRIPS	: Rubber Grips
CHAINWHEEL	: Steel, 24/34/42T, L:170 mm	ACCESSORIES	: Reflectors, Bell
BOTTOM BRACKET	: Semi Catridge	WEIGHT	: 16.50 KG
SHIFTER	: Saiguan Twist Shifter		
F. DERAILLEUR	: Saiguan QD-08		
R. DERAILLEUR	: Saiguan HG-21		

COLOR OPTIONS



KAUNOS

330 DB



A - STACK	: 535 mm
B - REACH	: 339 mm
C - SEAT TUBE	: 330 mm
D - TOP TUBE	: 498.8 mm
E - CHAIN STAY	: 400 mm
F - WHEELBASE	: 958.6 mm
G - SEAT TUBE ANGLE	: 71.0°
H - HEAD TUBE ANGLE	: 70.0°



SPECIFICATIONS

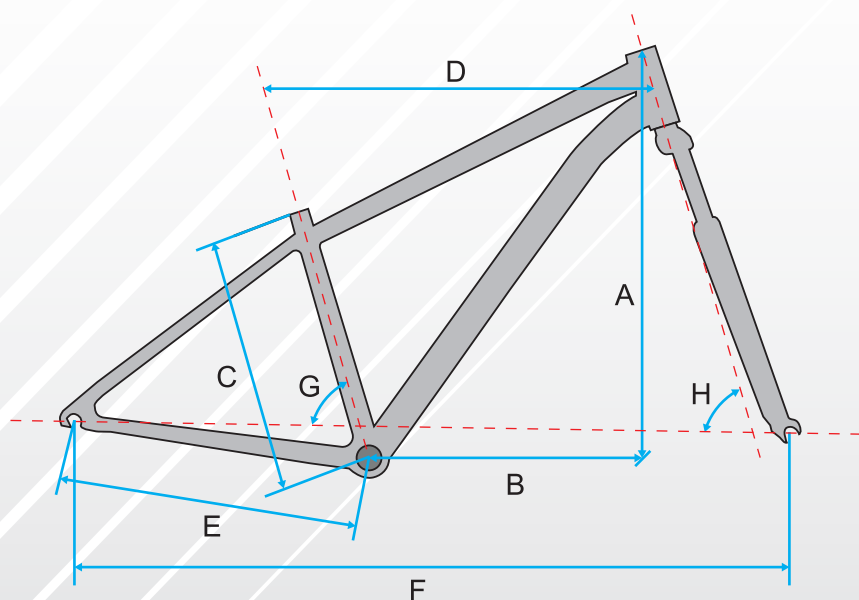
FRAME	: Hi-Ten Steel	BRAKE SET	: Logan LB-DX2005 Disc Brake
FORK	: Locked, Preload Adj, 80 mm	WHEELS	: Aluminium, Double-wall rim, 36 spokes, 24"
HANDLEBAR	: Alloy, Wide: 580 mm	TYRES	: Rubena OCELOT (24*2,10)
STEM	: Alloy, Ext. : 90 mm	PEDALS	: Feimin FP804, Plastic
SEATPOST	: Steel, Ø: 28,6 mm L: 500 mm	SADDLE	: Sport Saddle
SEAT CLAMP	: Alloy, Bolted Clamp	GRIPS	: Rubber Grips
CHAINWHEEL	: Steel, 24/34/42T, L:152 mm	ACCESSORIES	: Reflectors, Bell
BOTTOM BRACKET	: Semi Catridge	WEIGHT	: 15.30 KG
SHIFTER	: Saiguan Twist Shifter		
F. DERAILLEUR	: Saiguan QD-08		
R. DERAILLEUR	: Saiguan HG-21		

COLOR OPTIONS



KAUNOS

330 VB



A - STACK	: 535 mm
B - REACH	: 339 mm
C - SEAT TUBE	: 330 mm
D - TOP TUBE	: 498.8 mm
E - CHAIN STAY	: 400 mm
F - WHEELBASE	: 958.6 mm
G - SEAT TUBE ANGLE	: 71.0°
H - HEAD TUBE ANGLE	: 70.0°



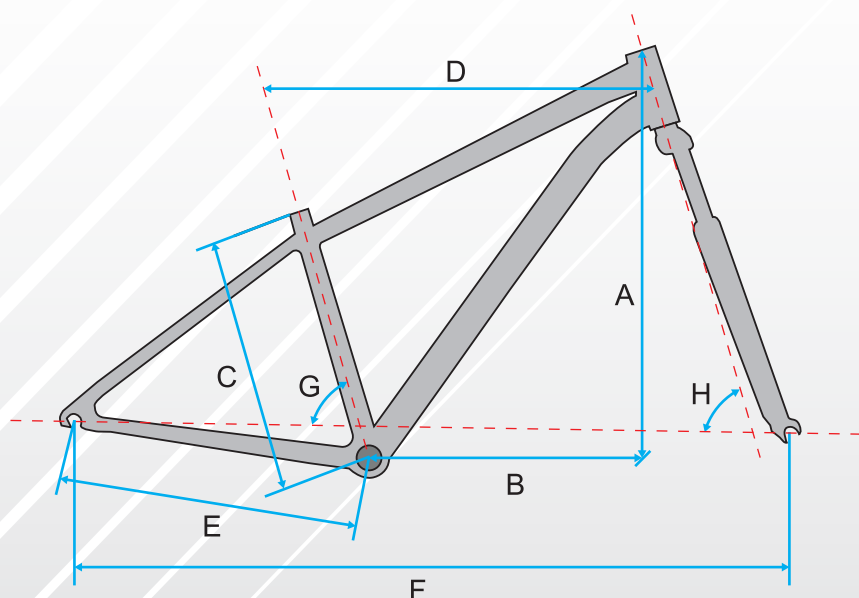
SPECIFICATIONS

FRAME	: Hi-Ten Steel	BRAKE SET	: Saiguan Alloy V Brake
FORK	: Locked, Preload Adj, 80 mm	WHEELS	: Aluminium, Double-wall rim, 36 spokes, 24"
HANDLEBAR	: Alloy, Wide: 580 mm	TYRES	: Rubena OCELOT (24*2,10)
STEM	: Alloy, Ext. : 90 mm	PEDALS	: Feimin FP804, Plastic
SEATPOST	: Steel, Ø: 28,6 mm L: 500 mm	SADDLE	: Sport Saddle
SEAT CLAMP	: Alloy, Bolted Clamp	GRIPS	: Rubber Grips
CHAINWHEEL	: Steel, 24/34/42T, L:152 mm	ACCESSORIES	: Reflectors, Bell
BOTTOM BRACKET	: Semi Catridge	WEIGHT	: 15 KG
SHIFTER	: Saiguan Twist Shifter		
F. DERAILLEUR	: Saiguan QD-08		
R. DERAILLEUR	: Saiguan HG-21		

COLOR OPTIONS



KAUNOS 280 VB



A - STACK	: 455 mm
B - REACH	: 333 mm
C - SEAT TUBE	: 330 mm
D - TOP TUBE	: 460 mm
E - CHAIN STAY	: 384.8 mm
F - WHEELBASE	: 911 mm
G - SEAT TUBE ANGLE	: 72.0°
H - HEAD TUBE ANGLE	: 71.0°



SPECIFICATIONS

FRAME	: Hi-Ten Steel	WHEELS	: Aluminium, Double-wall rim, 28 spokes, 20"
FORK	: Locked, Preload Adj, 80 mm	TYRES	: Rubena OCELOT (24*2,10)
HANDLEBAR	: Alloy, Wide: 580 mm	PEDALS	: Feimin FP804, Plastic
STEM	: Alloy, Ext. : 90 mm	SADDLE	: Sport Saddle
SEATPOST	: Steel, Ø: 28,6 mm L: 500 mm	GRIPS	: Rubber Grips
SEAT CLAMP	: Alloy, Bolted Clamp	ACCESSORIES	: Reflectors, Bell
CHAINWHEEL	: Steel, 36T, L:140 mm	WEIGHT	: 11.50 KG
BOTTOM BRACKET	: Semi Catridge		
SHIFTER	: MicroShift Grip Shifter 6S		
R. DERAILLEUR	: Saiguan HG-21		
BRAKE SET	: Saiguan Alloy V Brake		

COLOR OPTIONS



WE
ARE THE

CHAMPIONS[®]

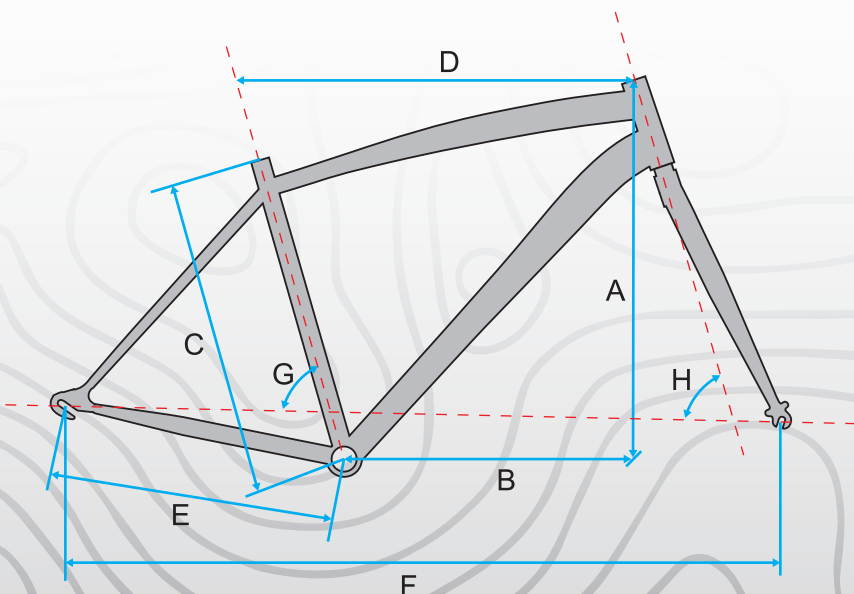
OF
CITIES



ESSENZA



ESSENZA
UOMO 480



A - STACK	: 591.6 mm
B - REACH	: 591.6 mm
C - SEAT TUBE	: 480 mm
D - TOP TUBE	: 588.5 mm
E - CHAIN STAY	: 435 mm
F - WHEELBASE	: 1102 mm
G - SEAT TUBE ANGLE	: 73.0°
H - HEAD TUBE ANGLE	: 70.5°



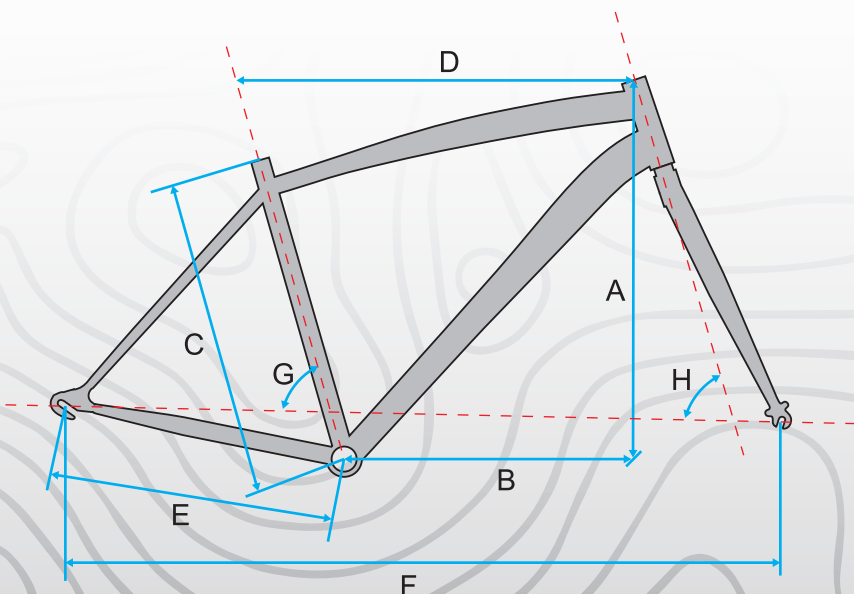
SPECIFICATIONS

FRAME	: Hi-Ten Steel	WHEELS	: Aluminium, Double-wall rim, 36 spokes, 700C
FORK	: Hi-Ten Steel	TYRES	: Rubena V66 FLASH (700*40C)
HANDLEBAR	: Alloy, Wide: 670 mm	PEDALS	: Feimin FP804, Plastic
STEM	: Alloy, Ext. : 90 mm	SADDLE	: Sport Saddle
SEATPOST	: Steel, Ø: 25,4 mm L: 500 mm	GRIPS	: Rubber Grips
SEAT CLAMP	: Alloy, Bolted Clamp	ACCESSORIES	: Reflectors, Bell
CHAINWHEEL	: Steel, 42T, L:170 mm	WEIGHT	: 13.50 KG
BOTTOM BRACKET	: Semi Catridge		
SHIFTER	: MicroShift Grip Shifter 7S		
R. DERAILLEUR	: Saiguan HG-21		
BRAKE SET	: Saiguan Alloy V Brake		

COLOR OPTIONS



ESSENZA
UOMO 430



A - STACK	: 591.6 mm
B - REACH	: 434.9 mm
C - SEAT TUBE	: 430 mm
D - TOP TUBE	: 590.6 mm
E - CHAIN STAY	: 435 mm
F - WHEELBASE	: 1102 mm
G - SEAT TUBE ANGLE	: 73.0°
H - HEAD TUBE ANGLE	: 70.5°



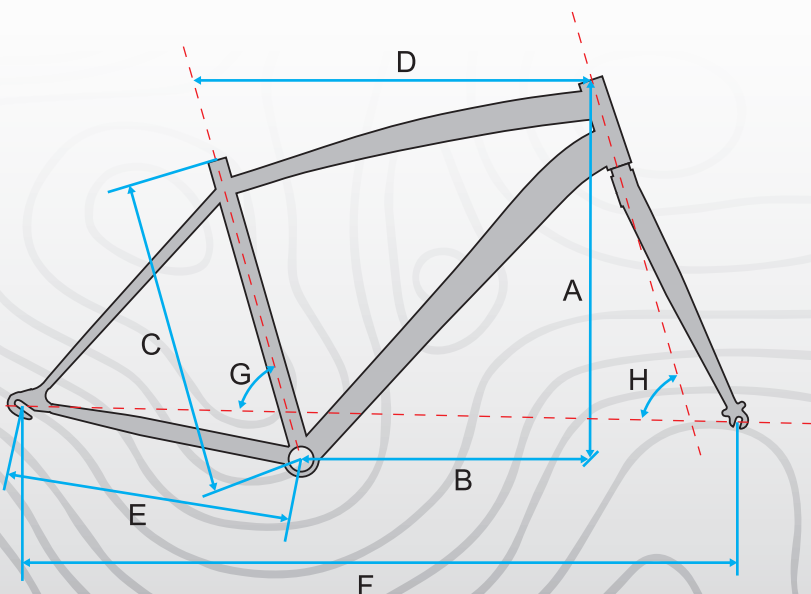
SPECIFICATIONS

FRAME	: Hi-Ten Steel	WHEELS	: Aluminium, Double-wall rim, 36 spokes, 700C
FORK	: Hi-Ten Steel	TYRES	: Rubena V66 FLASH (700*40C)
HANDLEBAR	: Alloy, Wide: 670 mm	PEDALS	: Feimin FP804, Plastic
STEM	: Alloy, Ext. : 90 mm	SADDLE	: Sport Saddle
SEATPOST	: Steel, Ø: 25,4 mm L: 500 mm	GRIPS	: Rubber Grips
SEAT CLAMP	: Alloy, Bolted Clamp	ACCESSORIES	: Reflectors, Bell
CHAINWHEEL	: Steel, 42T, L:170 mm	WEIGHT	: 13.50 KG
BOTTOM BRACKET	: Semi Catridge		
SHIFTER	: MicroShift Grip Shifter 7S		
R. DERAILLEUR	: Saiguan HG-21		
BRAKE SET	: Saiguan Alloy V Brake		

COLOR OPTIONS



ESSENZA
UOMO 280



A - STACK	: 370.4 mm
B - REACH	: 342.6 mm
C - SEAT TUBE	: 280 mm
D - TOP TUBE	: 430 mm
E - CHAIN STAY	: 350 mm
F - WHEELBASE	: 833.3 mm
G - SEAT TUBE ANGLE	: 71°
H - HEAD TUBE ANGLE	: 71°



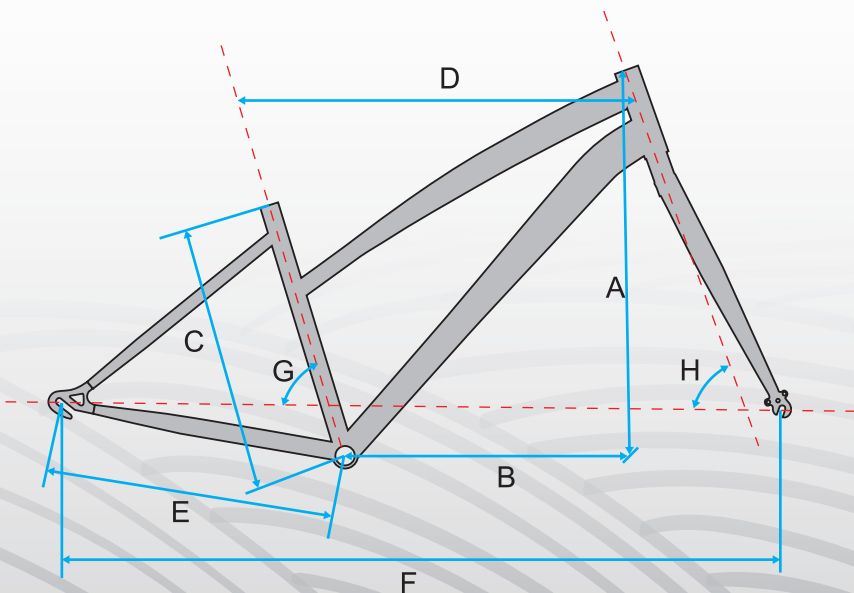
SPECIFICATIONS

FRAME	: Hi-Ten Steel	WHEELS	: Aluminium, Double-wall rim, 28 spokes, 20"
FORK	: Hi-Ten Steel	TYRES	: Rubena V66 FLASH (700*40C)
HANDLEBAR	: Alloy, Wide: 560 mm	PEDALS	: Feimin FP804, Plastic
STEM	: Alloy, Ext. : 60 mm	SADDLE	: Sport Saddle
SEATPOST	: Steel, Ø: 25,4 mm L: 500 mm	GRIPS	: Rubber Grips
SEAT CLAMP	: Alloy, Bolted Clamp	ACCESSORIES	: Reflectors, Bell
CHAINWHEEL	: Steel, 42T, L:170 mm	WEIGHT	: 11 KG
BOTTOM BRACKET	: Semi Catridge		
SHIFTER	: MicroShift Grip Shifter 6S		
R. DERAILLEUR	: Saiguan HG-21		
BRAKE SET	: Saiguan Alloy V Brake		

COLOR OPTIONS



ESSENZA
DONNA 480



A - STACK	: 591.6 mm
B - REACH	: 591.6 mm
C - SEAT TUBE	: 480 mm
D - TOP TUBE	: 588.9 mm
E - CHAIN STAY	: 435 mm
F - WHEELBASE	: 1102 mm
G - SEAT TUBE ANGLE	: 73.0°
H - HEAD TUBE ANGLE	: 70.5°



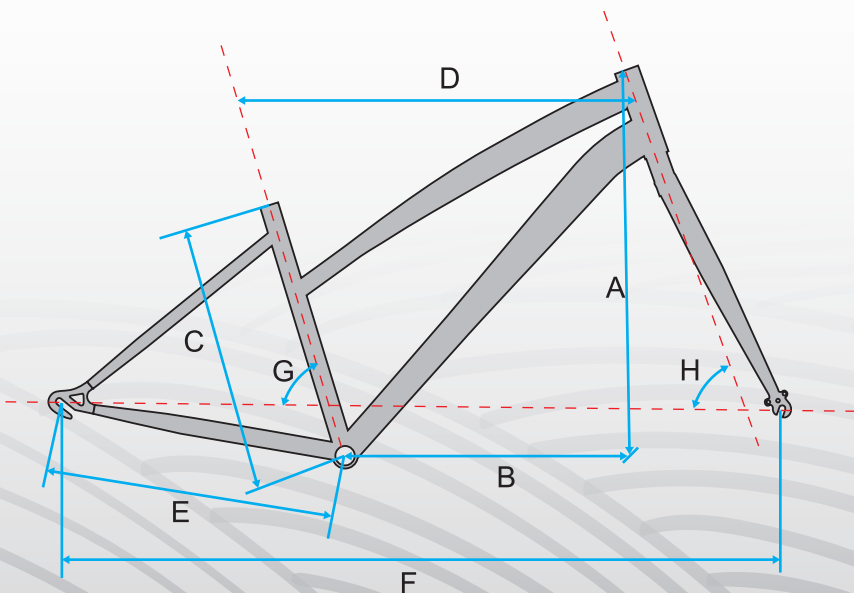
SPECIFICATIONS

FRAME	: Hi-Ten Steel	WHEELS	: Aluminium, Double-wall rim, 36 spokes, 700C
FORK	: Hi-Ten Steel	TYRES	: Rubena V66 FLASH (700*40C)
HANDLEBAR	: Alloy, Wide: 670 mm	PEDALS	: Feimin FP804, Plastic
STEM	: Alloy, Ext. : 90 mm	SADDLE	: Sport Saddle
SEATPOST	: Steel, Ø: 25,4 mm L: 500 mm	GRIPS	: Rubber Grips
SEAT CLAMP	: Alloy, Bolted Clamp	ACCESSORIES	: Reflectors, Bell
CHAINWHEEL	: Steel, 42T, L:170 mm	WEIGHT	: 13.50 KG
BOTTOM BRACKET	: Semi Catridge		
SHIFTER	: MicroShift Grip Shifter 7S		
R. DERAILLEUR	: Saiguan HG-21		
BRAKE SET	: Saiguan Alloy V Brake		

COLOR OPTIONS



ESSENZA
DONNA 430



A - STACK	: 591.6 mm
B - REACH	: 434.9 mm
C - SEAT TUBE	: 430 mm
D - TOP TUBE	: 588.9 mm
E - CHAIN STAY	: 435 mm
F - WHEELBASE	: 11021 mm
G - SEAT TUBE ANGLE	: 73.0°
H - HEAD TUBE ANGLE	: 70.5°



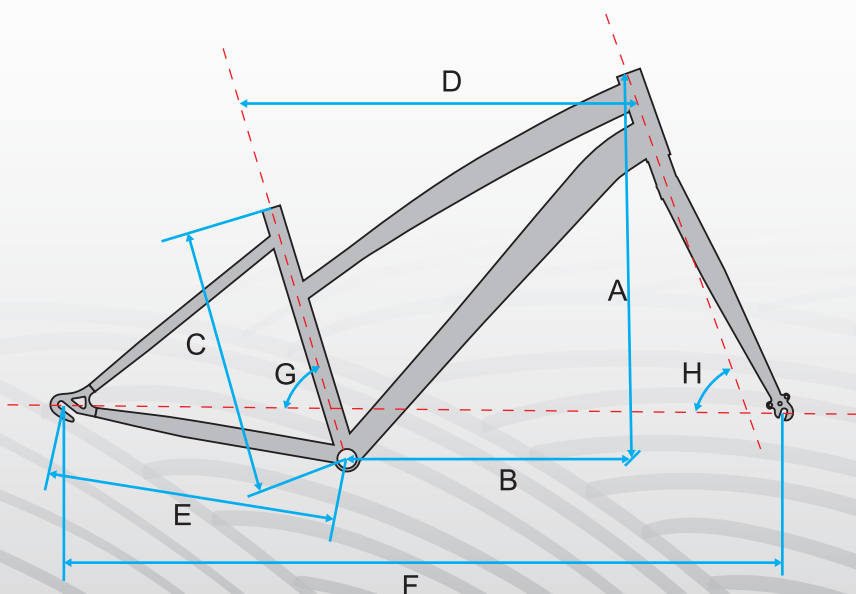
SPECIFICATIONS

FRAME	: Hi-Ten Steel	WHEELS	: Aluminium, Double-wall rim, 36 spokes, 700C
FORK	: Hi-Ten Steel	TYRES	: Rubena V66 FLASH (700*40C)
HANDLEBAR	: Alloy, Wide: 670 mm	PEDALS	: Feimin FP804, Plastic
STEM	: Alloy, Ext. : 90 mm	SADDLE	: Sport Saddle
SEATPOST	: Steel, Ø: 25,4 mm L: 500 mm	GRIPS	: Rubber Grips
SEAT CLAMP	: Alloy, Bolted Clamp	ACCESSORIES	: Reflectors, Bell
CHAINWHEEL	: Steel, 42T, L:170 mm	WEIGHT	: 13.30 KG
BOTTOM BRACKET	: Semi Catridge		
SHIFTER	: MicroShift Grip Shifter 7S		
R. DERAILLEUR	: Saiguan HG-21		
BRAKE SET	: Saiguan Alloy V Brake		

COLOR OPTIONS



ESSENZA
DONNA 400



A - STACK	: 591.6 mm
B - REACH	: 434.9 mm
C - SEAT TUBE	: 400 mm
D - TOP TUBE	: 588.9 mm
E - CHAIN STAY	: 435 mm
F - WHEELBASE	: 11021 mm
G - SEAT TUBE ANGLE	: 73.0°
H - HEAD TUBE ANGLE	: 70.5°



SPECIFICATIONS

FRAME	: Hi-Ten Steel	WHEELS	: Aluminium, Double-wall rim, 36 spokes, 700C
FORK	: Hi-Ten Steel	TYRES	: Rubena V66 FLASH (700*40C)
HANDLEBAR	: Alloy, Wide: 670 mm	PEDALS	: Feimin FP804, Plastic
STEM	: Alloy, Ext. : 90 mm	SADDLE	: Sport Saddle
SEATPOST	: Steel, Ø: 25,4 mm L: 500 mm	GRIPS	: Rubber Grips
SEAT CLAMP	: Alloy, Bolted Clamp	ACCESSORIES	: Reflectors, Bell
CHAINWHEEL	: Steel, 42T, L:170 mm	WEIGHT	: 13 KG
BOTTOM BRACKET	: Semi Catridge		
SHIFTER	: MicroShift Grip Shifter 7S		
R. DERAILLEUR	: Saiguan HG-21		
BRAKE SET	: Saiguan Alloy V Brake		

COLOR OPTIONS



WE ARE THE

CHAMPIONS[®]

HILLS

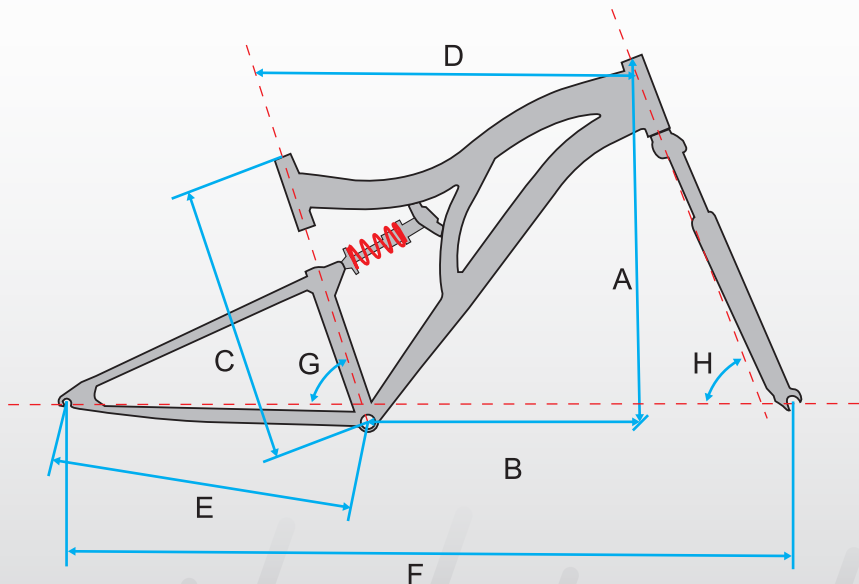


ARIZONA



ARIZONA

26"



A - STACK	: 500 mm
B - REACH	: 470 mm
C - SEAT TUBE	: 400 mm
D - TOP TUBE	: 560 mm
E - CHAIN STAY	: 440 mm
F - WHEELBASE	: 1070 mm
G - SEAT TUBE ANGLE	: 73.0°
H - HEAD TUBE ANGLE	: 71.0°



SPECIFICATIONS

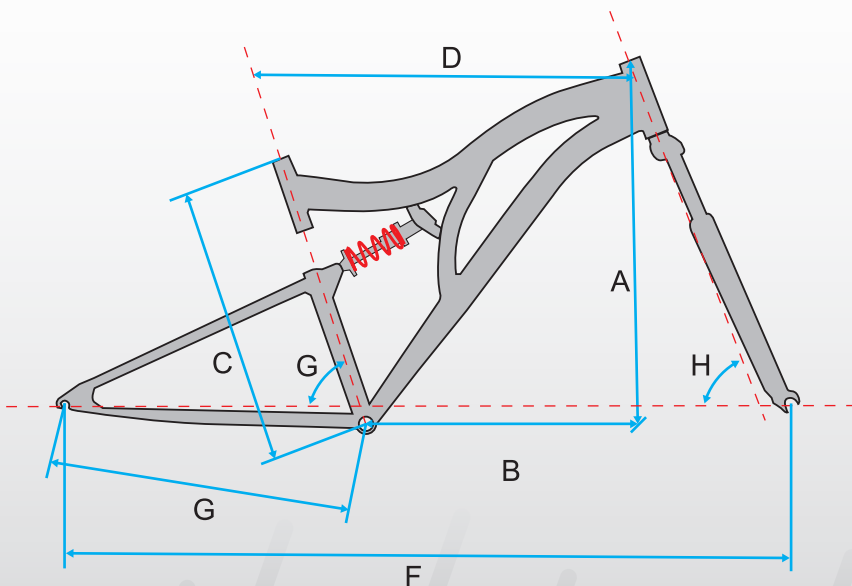
FRAME	: Hi-Ten Steel, With Suspension	BRAKE SET	: Saiguan V-Brake
FORK	: Hi-Ten Steel, Suspension	WHEELS	: Aluminium, Single-wall rim, 36 spokes, 26''
HANDLEBAR	: Steel, Wide: 570 mm	TYRES	: Rubena ACRIS (26*1,90)
STEM	: Steel, Ext. : 90 mm	PEDALS	: Plastic pedals
SEATPOST	: Steel, Ø: 25,4 mm L: 500 mm	SADDLE	: Sport Saddle
SEAT CLAMP	: Alloy, Quick Release	GRIPS	: Rubber Grips
CHAINWHEEL	: Steel, 24/34/42T, L:170 mm	ACCESSORIES	: Kickstand, Reflectors, Bell
BOTTOM BRACKET	: Steel, 5 pieces	WEIGHT	: 15 KG
SHIFTER	: Saiguan Grip Shifter		
F. DERAILLEUR	: Saiguan 3S		
R. DERAILLEUR	: Saiguan 7S		

COLOR OPTIONS



ARIZONA

24"



A - STACK	: 460 mm
B - REACH	: 410 mm
C - SEAT TUBE	: 400 mm
D - TOP TUBE	: 520 mm
E - CHAIN STAY	: 420 mm
F - WHEELBASE	: 1010 mm
G - SEAT TUBE ANGLE	: 73.0°
H - HEAD TUBE ANGLE	: 71.0°



SPECIFICATIONS

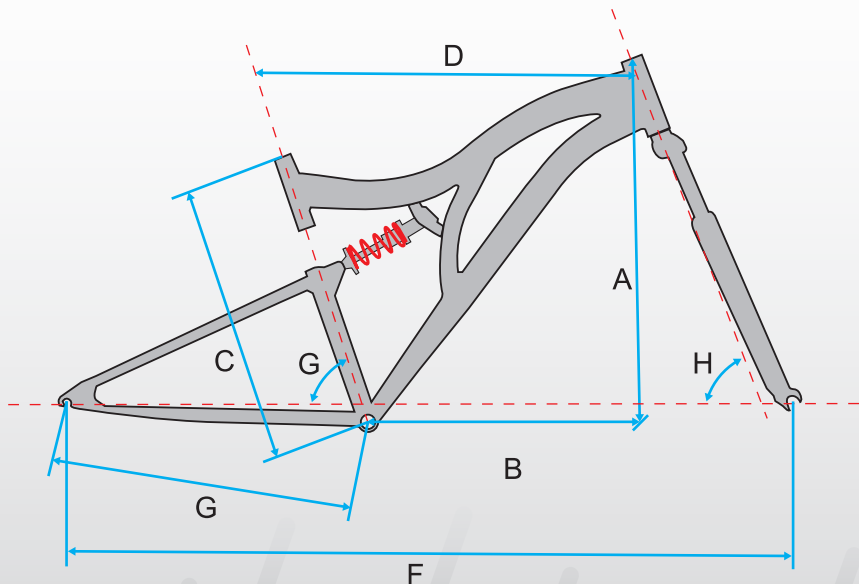
FRAME	: Hi-Ten Steel, With Suspension	BRAKE SET	: Saiguan V-Brake
FORK	: Hi-Ten Steel, Suspension	WHEELS	: Aluminium, Single-wall rim, 36 spokes, 24''
HANDLEBAR	: Steel, Wide: 570 mm	TYRES	: Rubena ACRIS (24*1,90)
STEM	: Steel, Ext. : 90 mm	PEDALS	: Plastic pedals
SEATPOST	: Steel, Ø: 25,4 mm L: 500 mm	SADDLE	: Sport Saddle
SEAT CLAMP	: Alloy, Quick Release	GRIPS	: Rubber Grips
CHAINWHEEL	: Steel, 24/34/42T, L:152 mm	ACCESSORIES	: Kickstand, Reflectors, Bell
BOTTOM BRACKET	: Steel, 5 pieces	WEIGHT	: 14 KG
SHIFTER	: Saiguan Grip Shifter		
F. DERAILLEUR	: Saiguan 3S		
R. DERAILLEUR	: Saiguan 7S		

COLOR OPTIONS



ARIZONA

20"



A - STACK	: 460 mm
B - REACH	: 410 mm
C - SEAT TUBE	: 400 mm
D - TOP TUBE	: 520 mm
E - CHAIN STAY	: 420 mm
F - WHEELBASE	: 1010 mm
G - SEAT TUBE ANGLE	: 73.0°
H - HEAD TUBE ANGLE	: 71.0°



SPECIFICATIONS

FRAME	: Hi-Ten Steel, With Suspension	BRAKE SET	: Saiguan V-Brake
FORK	: Hi-Ten Steel, Suspension	WHEELS	: Aluminium, Single-wall rim, 36 spokes, 24''
HANDLEBAR	: Steel, Wide: 570 mm	TYRES	: Rubena ACRIS (24*1,90)
STEM	: Steel, Ext. : 90 mm	PEDALS	: Plastic pedals
SEATPOST	: Steel, Ø: 25,4 mm L: 500 mm	SADDLE	: Sport Saddle
SEAT CLAMP	: Alloy, Quick Release	GRIPS	: Rubber Grips
CHAINWHEEL	: Steel, 24/34/42T, L:152 mm	ACCESSORIES	: Kickstand, Reflectors, Bell
BOTTOM BRACKET	: Steel, 5 pieces	WEIGHT	: 14 KG
SHIFTER	: Saiguan Grip Shifter		
F. DERAILLEUR	: Saiguan 3S		
R. DERAILLEUR	: Saiguan 7S		

COLOR OPTIONS



WE
ARE THE

CHAMPIONS[®]

OF
PATHS

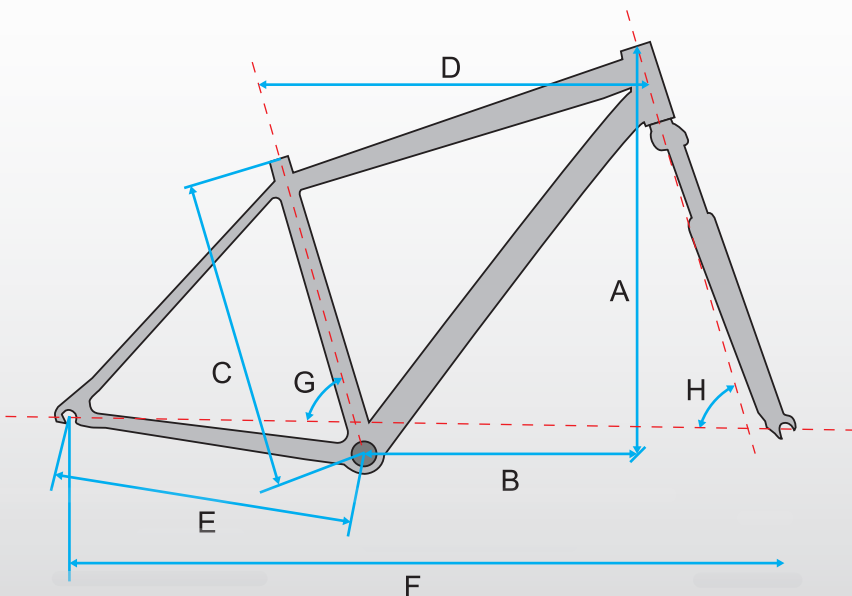


TEMPO



TEMPO

26"



A - STACK	: 460 mm
B - REACH	: 420 mm
C - SEAT TUBE	: 400 mm
D - TOP TUBE	: 550 mm
E - CHAIN STAY	: 440 mm
F - WHEELBASE	: 1080 mm
G - SEAT TUBE ANGLE	: 73.0°
H - HEAD TUBE ANGLE	: 71.0°



SPECIFICATIONS

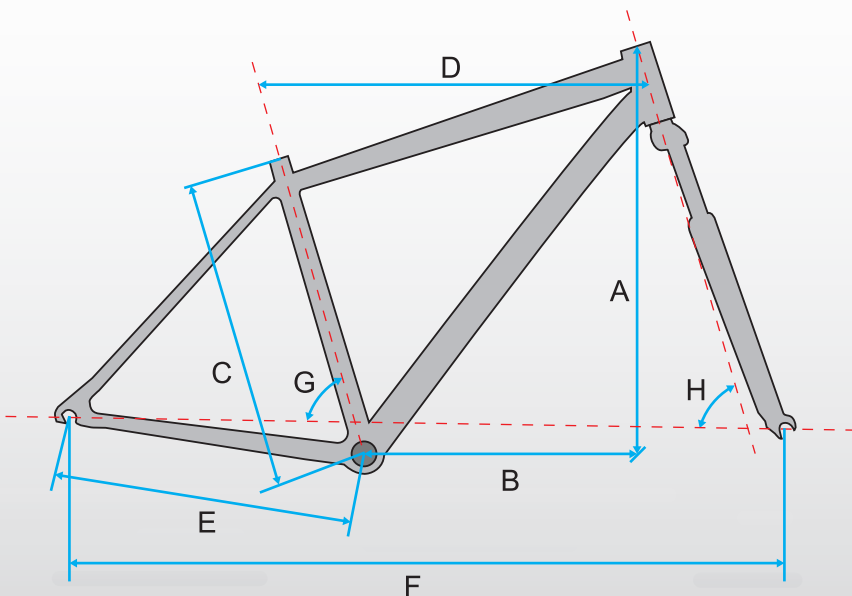
FRAME	: Hi-Ten Steel	BRAKE SET	: Saiguan V-Brake
FORK	: Hi-Ten Steel, Suspension	WHEELS	: Aluminium, Single-wall rim, 36 spokes, 26''
HANDLEBAR	: Steel, Wide: 570 mm	TYRES	: Rubena ACRIS (26*1,90)
STEM	: Steel, Ext. : 90 mm	PEDALS	: Plastic pedals
SEATPOST	: Steel, Ø: 25,4 mm L: 500 mm	SADDLE	: Sport Saddle
SEAT CLAMP	: Alloy, Quick Release	GRIPS	: Rubber Grips
CHAINWHEEL	: Steel, 24/34/42T, L:170 mm	ACCESSORIES	: Kickstand, Reflectors, Bell
BOTTOM BRACKET	: Steel, 5 pieces	WEIGHT	: 14 KG
SHIFTER	: Saiguan Grip Shifter		
F. DERAILLEUR	: Saiguan 3S		
R. DERAILLEUR	: Saiguan 7S		

COLOR OPTIONS



TEMPO

24"



A - STACK	: 440 mm
B - REACH	: 430 mm
C - SEAT TUBE	: 380 mm
D - TOP TUBE	: 505 mm
E - CHAIN STAY	: 410 mm
F - WHEELBASE	: 1040 mm
G - SEAT TUBE ANGLE	: 73.0°
H - HEAD TUBE ANGLE	: 71.0°



SPECIFICATIONS

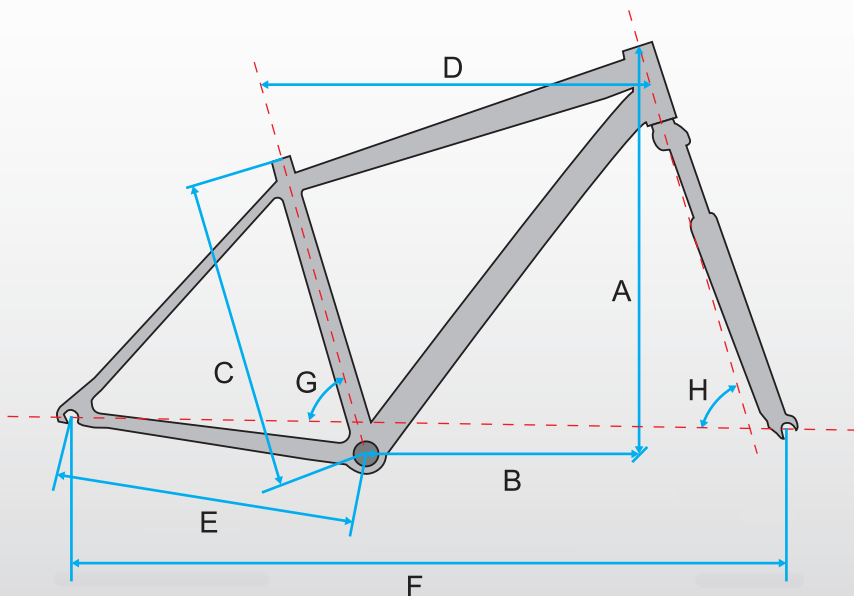
FRAME	: Hi-Ten Steel	BRAKE SET	: Saiguan V-Brake
FORK	: Hi-Ten Steel, Suspension	WHEELS	: Aluminium, Single-wall rim, 36 spokes, 24''
HANDLEBAR	: Steel, Wide: 570 mm	TYRES	: Rubena ACRIS (24*1,90)
STEM	: Steel, Ext. : 90 mm	PEDALS	: Plastic pedals
SEATPOST	: Steel, Ø: 25,4 mm L: 500 mm	SADDLE	: Sport Saddle
SEAT CLAMP	: Alloy, Quick Release	GRIPS	: Rubber Grips
CHAINWHEEL	: Steel, 24/34/42T, L:152 mm	ACCESSORIES	: Kickstand, Reflectors, Bell
BOTTOM BRACKET	: Steel, 5 pieces	WEIGHT	: 14 KG
SHIFTER	: Saiguan Grip Shifter		
F. DERAILLEUR	: Saiguan 3S		
R. DERAILLEUR	: Saiguan 7S		

COLOR OPTIONS



TEMPO

20"



A - STACK	: 350 mm
B - REACH	: 360 mm
C - SEAT TUBE	: 280 mm
D - TOP TUBE	: 450 mm
E - CHAIN STAY	: 360 mm
F - WHEELBASE	: 870 mm
G - SEAT TUBE ANGLE	: 72.0°
H - HEAD TUBE ANGLE	: 71.0°



SPECIFICATIONS

FRAME	: Hi-Ten Steel	BRAKE SET	: Saiguan V-Brake
FORK	: Hi-Ten Steel, Suspension	WHEELS	: Aluminium, Single-wall rim, 28 spokes, 20''
HANDLEBAR	: Steel, Wide: 570 mm	TYRES	: Rubena RAPID (20*1,90)
STEM	: Steel, Ext. : 90 mm	PEDALS	: Plastic pedals
SEATPOST	: Steel, Ø: 25,4 mm L: 500 mm	SADDLE	: Sport Saddle
SEAT CLAMP	: Alloy, Quick Release	GRIPS	: Rubber Grips
CHAINWHEEL	: Steel, 24/34/42T, L:140 mm	ACCESSORIES	: Kickstand, Reflectors, Bell
BOTTOM BRACKET	: Steel, 5 pieces	WEIGHT	: 12 KG
SHIFTER	: Saiguan Grip Shifter		
F. DERAILLEUR	: Saiguan 3S		
R. DERAILLEUR	: Saiguan 7S		

COLOR OPTIONS





CHAMPIONS

CHAMPIONS

A brand by **özaktac**

Özaktac İç ve Dış Tic. A.Ş.
Osmangazi Mah. Battalgazi Cad.
No:31 Sancaktepe/Istanbul
b@siklet@ozaktac.com.tr
www.gokidy.com